

G936 Zinc Alloy Handle

Material

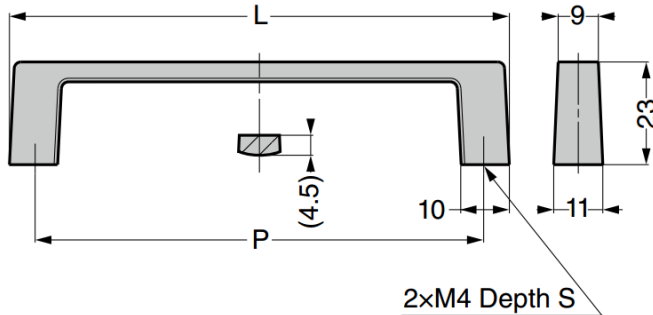
- Zinc alloy

Notes

- Screws are not included in nickel finish

Parts Included

- G936-55-SCR - Truss head screw M4x25
- G936-100-DC - Truss head screw M4x28

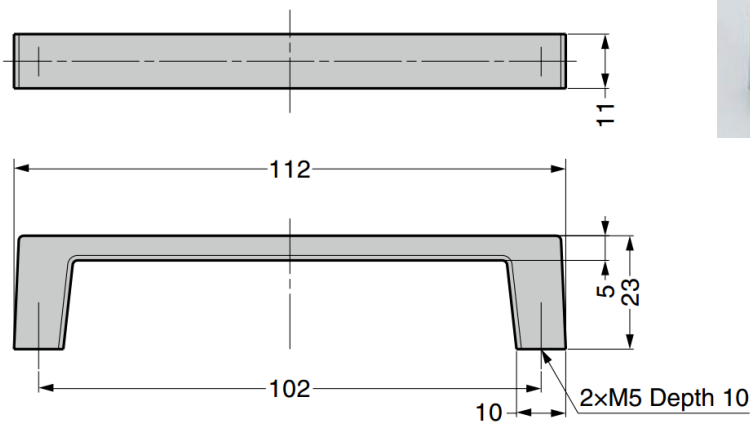


Part No.	Finish	L	P	S
G936-55-SCR	Satin Chrome	66.5	55	8
G936-55-SNI	Nickel			
G936-100-DC	Dull Chrome + Enamel Finish/Clear	112	100.5	10
G936-100-SNI	Nickel			

G937 Zinc Alloy Handle

Material

- Zinc alloy, satin chrome finish



Part No.
G937-102SCR